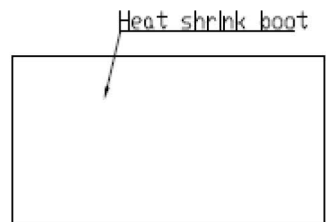
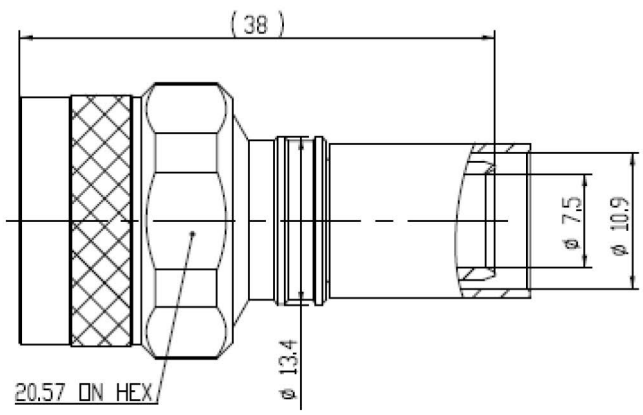
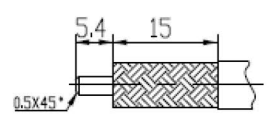


SYM	REVISION DESCRIPTION	DFTM	DATE	APPD	DATE
A	RELEASED FOR PRODUCTION	D. J. H.	6/13/11	J. D. B.	6/27/11
B	CHANGED PER CDC #33920	D. J. H.	8/12/11	J. D. B.	8/15/11
C	CHANGED PER CDC #40843	N. N. N.	9/25/14	J. D. B.	9/30/14



Heat shrink boot
 3/4" diam. X 2" long, heavy wall, adhesive lined polyolefin with a 3:1 shrink ratio



Recommended cable stripping Dim's

Reference standard IEC60169-16
 I. Electric Performance
 Impedance(Ω): 50
 Frequency Range: DC-6GHz
 VSWR: ≤1.25
 Insert Loss: (dB) ≤ 0.05
 Insulation resistance (MΩ) >5000
 Proof voltage (V) 1500
 Conductor resistance (mΩ) outer conductor <0.4
 inner conductor <0.8

IV. Environment
 Temperature -55°C~+155°C
 Weather standard IEC 60068 55 / 155/ 56
 Thermal shock US MIL-STD 202,Meth.107,Cond.B
 Vibration US MIL-STD 202,Meth.204,Cond.B
 Shock US MIL-STD 202,Meth.213,Cond.I
 Waterproofing standard IP67

V. Assembly: inner conductor installed and outer conductor crimped

II. Mechanical Performance
 Nut torque 5N.m
 (Nut)Whorl pull 500N
 Tensile force(cable-connect) 400N
 Torsion(cable-connect) 2N.m

III. Material and plating:
 Component Material Plating
 Inner conductor Beryllium Bronze Au50 micro inches over nickel 100 over copper
 Outer conductor Brass Copper-tin-zin 100-150 micro inches
 Tube: copper Copper-tin-zin 100-150 micro inches
 Nut: Brass Copper-tin-zin 100-150 micro inches
 Gasket: Silicone rubber
 Insulator: PTFE

MATERIAL:	UNLESS OTHERWISE SPECIFIED	DFTM. D, J, H.	TIMES MICROWAVE SYSTEMS
	ALL DIMENSIONS ARE IN mm MACHINED SURFACES FINISH N/A RMS MAX. REMOVE ALL BURRS N/A MAX. BREAK MACHINE CORNERS N/A MAX. FILLET R. TOLERANCES ON DECIMALS .XX ± N/A .XXX ± N/A ANGLES ± 1° FRACTIONS ± N/A	DATE 6/13/11	
USED ON: 0		CHKD. J, D, B.	EZ-400-NMH-X "N" MALE FOR LMR-400 CABLE EZ/CRIMP/NO BRAID TRIM
		DATE 6/27/11	
SCALE: N/A	DWG. SIZE A	APPD. J, D, B.	1 of 1 SD3190-2590 C
DO NOT SCALE DRAWING	CODE IDENT 68999	DATE 6/27/11	